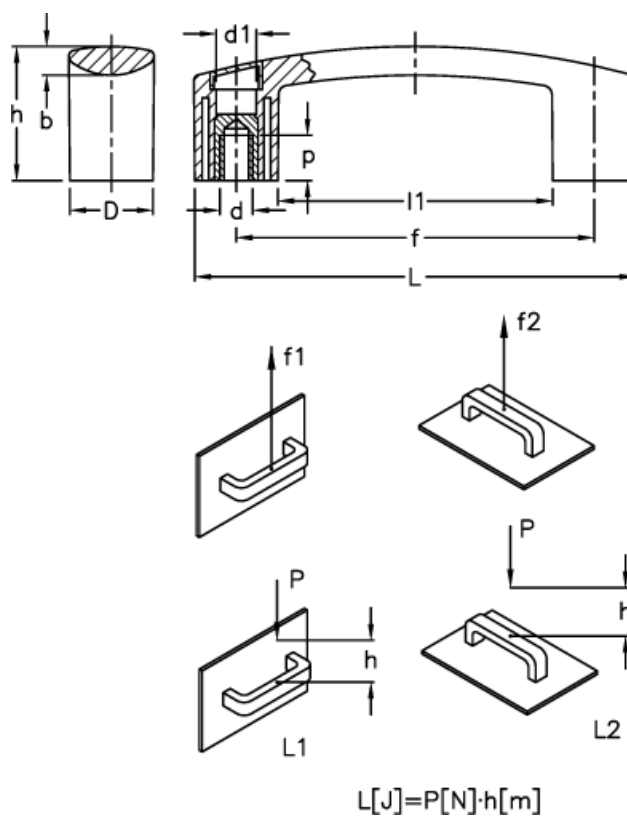


Data Sheet



Article number: 23052604212
Description: E+G Bridge handle
EBP.200-B M8-C2

Measures



b	= 9.5	L	= 208.5
D	= 28.5	l1	= 150.5
d1	= 13.5	L1 (J)	= 16
d 6H	= M8	L2 (J)	= 9
f	= 179 +/-1	p	= 13
F1 (N)	= 2200		
F2 (N)	= 1500		
h	= 51		